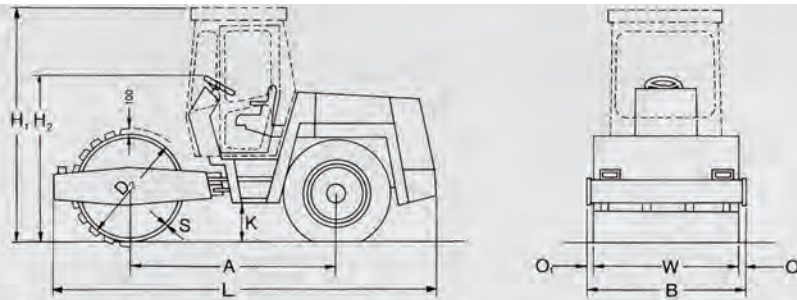


# BOMAG®

**BW 213 · BW 213 D · BW 213 PD**  
**Single-Drum Wheel**  
**Drive Vibratory Rollers**







**Dimensions  
in mm (in)**

	A	B	D <sub>2</sub>	H <sub>1</sub>	H <sub>2</sub>	K	L	O <sub>1</sub>	O <sub>2</sub>	S	W
<b>BW 213</b>	3100 (122)	2270 (89.4)	1500 (59)	2950 (116.1)	2300 (90.6)	400 (15.8)	5740 (226)	85 (3.4)	85 (3.4)	25 (1.0)	2100 (82.7)
<b>BW 213 D</b>	3100 (122)	2355 (92.7)	1500 (59)	2950 (116.1)	2300 (90.6)	400 (15.8)	5740 (226)	170 (6.7)	85 (3.4)	35 (1.4)	2100 (82.7)
<b>BW 213 PD</b>	3100 (122)	2355 (92.7)	1500 (59)	2950 (116.1)	2300 (90.6)	400 (15.8)	5740 (226)	170 (6.7)	85 (3.4)	25 (1.0)	2100 (82.7)

**Standard equipment**

- Hour meter
- Horn
- Parking brake light
- Fuel gauge
- Indicators for engine oil pressure, engine temperature, hydraulic oil pressure, air filter vacuum, V-belt breakage and electrical charge
- Vibration switch in the handle of the travel control lever
- Hydrostatic articulated steering
- Articulation lockout device
- Hydrostatic drive
- Drum scrapers
- Cushioned adjustable seat with arm rest on each side
- Bracket for first-aidbox
- Tow hooks
- Tool box
- Chock

**Optional equipment**

- Cab with heater, ventilation, wind-shield wipers front and rear and luxury seat, (c. 250 kg/551 lb)
- Air conditioning plant
- Roll-over protective structure (R.O.P.S.) with integrated falling-object protective structure (F.O.P.S.), (c. 500 kg/1103 lb)
- Sun canopy, (c. 80 kg/176 lb)
- Working lights, 2 headlights front and 2 headlights rear, (c. 50 kg/110 lb)
- Side lights
- Hazard warning signal flasher
- TERRAMETER BTM, (c. 100 kg/220 lb)
- Luxury seat
- Additional ballast (BW 213 D), (c. 400 kg/882 lb)
- Combined oil bath dry air filter
- Lockable dash board
- Metal contact drum scrapers (BW 213/D)
- 2 frequencies, 2 amplitudes (BW 213/D), (c. 60 kg/132 lb)
- Tachograph (BW 213/D)
- Special paint

**Technical data**

**Weights**

Basic weight	kg (lb)	9400 (20727)
Operating weight (acc. to CECE)	kg (lb)	9570 (21102)
Axle load front	kg (lb)	5070 (11179)
Axle load rear	kg (lb)	4500 (9923)
Static linear load front	kg/cm (pli)	24.1 (135)

**Dimensions**

Rolling width	mm (in)	2100 (82.7)
Measurements		see sketch
Oscillation angle	+/-°	8
Turning radius inside	mm (in)	5000 (196.9)

**Driving characteristics**

Speed range 1	km/h (mph)	0-7.7 (0-4.8)	0-5.8 (0-3.6)	0-7 (0-4.3)
range 2	km/h (mph)	0-18 (0-11.2)	0-10 (0-6.2)	(-)
Max. gradeability (depending on soil conditions)	%	30	37	37

**Drive**

Engine manufacturer	Deutz	Deutz	Deutz	
Model	F 6L912	F 6L912	BF 6 L913	
Cooling	air	air	air	
Number of cylinders	6	6	6	
Performance B DIN 6270	kW (hp)	82.4 (112)	82.4 (112)	103 (140)
Speed	min <sup>-1</sup> /rpm	2500	2500	2500
Performance SAE	kW (hp)	88.8 (119)	88.8 (119)	108.9 (146)
Speed	min <sup>-1</sup> /rpm	2500	2500	2500
Fuel tank capacity	l (gal)	195 (51.5)	195 (51.5)	195 (51.5)
Drive system	hydrostatic	hydrostatic	hydrostatic	
Drive axles	rear	front + rear	front + rear	

**Drums/Wheels**

Number of pad feet		(-)	(-)	150
Area of a pad foot	cm <sup>2</sup> (in <sup>2</sup> )	(-)	(-)	143 (22.2)
Size of tyres		23.1/18-26 8 PR	23.1/18-26 8 PR	23.1/18-26 10 PR

**Brakes**

Service brake	hydrostatic	hydrostatic	hydrostatic
Parking brake	mechanical	mechanical	mechanical

**Steering**

Steering system	articulated	articulated	articulated
Steering method	hydrostatic	hydrostatic	hydrostatic
Steering angle	+/-°	30	30

**Vibratory system**

Drive system	hydrostatic	hydrostatic	hydrostatic	
Frequency	Hz (vpm)	30 (1800)	30 (1800)	30 (1800)
Amplitude	mm (in)	1.70 (0.067)	1.72 (0.068)	1.50 (0.059)
Centrifugal force	kN (t)	188.3 (19.2)	231.5 (23.6)	231.5 (23.6)
	(lb)	(42368)	(52088)	(52088)

**Vibratory system with 2 frequencies and 2 amplitudes (optional)**

Frequency	Hz (vpm)	29 + 37 (1740 + 2220)	29 + 37 (1740 + 2220)	(-)
Amplitude	mm (in)	1.5 + 0.9 (0.059 + 0.035)	1.5 + 0.9 (0.059 + 0.035)	(-)
Centrifugal force	kN (t)	149.4 + 156.7 (15.2 + 16.0)	199 + 162 (20.3 + 16.5)	(-)
	(lb)	(33615 + 35258)	(44775 + 36450)	(-)

Subject to technical alterations. Models shown may include optional equipment.



**BOMAG USA**  
Springfield, Ohio,  
Tel. 513-325-8733, Telex 20-5412

**BOMAG CANADA**  
Mississauga, Ontario  
Tel. 4166256611, Telex 6961250

**BOMAG LATIN AMERICA**

**BOMAG GERMANY**  
Boppard/Rhein  
Tel. (0) 67 42/100-0, Telex (0) 426316

**BOMAG AUSTRIA**  
Wien  
Tel. (0) 222-679647/8/9, Telex 133-535

**BOMAG FRANCE**  
Bretigny Sur Orge  
Tel. (0) 84 95-30, Telex 691370

**BOMAG GREAT BRITAIN**  
Larkfield, Kent, Tel. 0622-76611, Telex 965787

**BOMAG NETHERLANDS**

**BOMAG ALGERIA**  
Alger, Tel. 649284

**BOMAG MIDDLE EAST** (Jordan)  
Amman, Tel. 661935, Telex 21065

**BOMAG ASIA PACIFIC**  
Singapore,  
Tel. 734-6234, Telex 33482

**BOMAG JAPAN**  
Tokyo  
Tel. 564-1260, Telex 3592-272

**BOMAG AUSTRALIA**  
North Wyoona

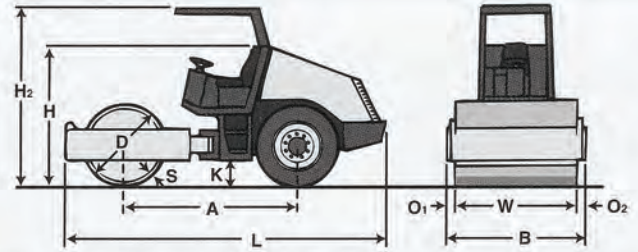


# Technical Specifications

## BW211-3 Series

### Shipping dimensions

in cubic feet (m <sup>3</sup> )	without/with ROPS/FOPS	
BW 211D-3	1010.9 (28.6)	1323.9 (37.5)
BW 211PD-3	1010.9 (28.6)	1323.9 (37.5)



### Dimensions in inches (mm)

	A	B	D	H	H <sub>2</sub>	K	L	O <sub>1</sub>	O <sub>2</sub>	S	W
BW211D-3	112.9 (2868)	88.6 (2250)	59.1 (1500)	89.3 (2268)	116.9 (2970)	19.3 (490)	220.9 (5610)	2.4 (60)	2.4 (60)	0.98 (25)	83.9 (2130)
BW211PD-3	112.9 (2868)	88.6 (2250)	58.3 (1480)	89.3 (2268)	116.9 (2970)	19.3 (490)	220.9 (5610)	2.4 (60)	2.4 (60)	0.98 (25)	83.9 (2130)

### Standard Equipment

- Hydrostatic drum and vibration drives
- Dual vibrating frequencies and amplitudes
- Hydrostatic articulated steering
- Rear wheel motors with Spring-Applied, Hydraulically-Released (SAHR) brakes
- Bolt-on oscillating, articulation joint
- Articulation lock
- No spin differential
- Adjustable operator's seat
- Single lever control for travel and vibration
- Audible/visual warning indicators:
  - Engine oil pressure
  - Engine temperature
  - Electrical charge
- Hydraulic oil level gauge
- Hour meter
- Fuel tank level gauge
- Drum scrapers
- ROPS / FOPS with seat belt
- Back-up alarm

### Optional Equipment

- Working lights front/rear
- Cab with heater
- Terrameter
- Omegameter
- Pad foot segment kit
- Special paint
- Tool kit

### Technical data

#### Weights

Operating Weight with ROPS/FOPS	lbs (kg)	22928 (10400)
Axle load, drum	lbs (kg)	13668 (6200)
Axle load, wheels	lbs (kg)	9259 (4200)
Static linear load (drum)	pli (kg/cm)	162.9 (29.1)

#### Dimensions

Working width	in (mm)	83.9 (2130)
Track Radius, inner	in (mm)	137.6 (3494)

#### Dimensions

see sketch

#### Driving Characteristics (depending on site conditions)

Speed (1)	mph (kmph)	0-3.1 (0-5)	0-3.1 (0-5)
Speed (2)	mph (kmph)	0-3.7 (0-6)	0-3.7 (0-6)
Speed (3)	mph (kmph)	0-5.6 (0-9)	0-5.6 (0-9)
Speed (4)	mph (kmph)	0-8.4 (0-13.5)	0-8.4 (0-13.5)
Max. gradeability without/with vibration	%	47/47	47/47

#### Drive

	BOMAG BW211D-3	BOMAG BW211PD-3
Engine manufacturer	Perkins	Perkins
Type	1006-60T	1006-60T
Cooling	water	water
Number of cylinders	6	6
Performance ISO 9249	138 (103)	138 (103)
Speed	2200 rpm	2200 rpm
Performance SAE J 1995	144 (107)	144 (107)
Speed	2200 rpm	2200 rpm
Fuel	diesel	diesel
Electric Equipment	12 V	12 V
Drive System	hydrostatic standard	hydrostatic standard

#### Drums and Tires

Drum width	in (mm)	83.9 (2130)	83.9 (2130)
Drum diameter	in (mm)	59.1 (1500)	58.3 (1480)
Tire size		23.1/18-26/8PR	23.1/18-26/10PR

#### Brakes

Service brake	hydrostatic	hydrostatic
Parking brake	SAHR	SAHR

#### Steering

Steering system	oscillating, articulating	oscillating, articulating
Steering method	hydrostatic	hydrostatic
Steering angle +/-	35 degrees	35 degrees
Oscillating angle +/-	12 degrees	12 degrees

#### Vibratory system

Drive system	hydrostatic	hydrostatic
Frequency	1800/2160 vpm (Hz)	1800/2160 (30/36)
Amplitude	0.071/0.035 in (mm)	0.065/0.032 (1.64/0.82)
Centrifugal force	53100/38250 lbs (kN)	61875/44550 (275/198)

#### Capacities

Fuel	gal (l)	66 (250)	66 (250)
------	---------	----------	----------

Technical modifications reserved. Machines may be shown with options.

Compaction America, Inc.  
2000 Kentville Road  
Kewanee, IL 61443



**Compaction America**